

SONY

Hi-Fi Products
Service Bulletin

Sony Service Company - Technical Services
A Division of Sony Corporation of America
Sony Drive, Park Ridge, New Jersey 07656

Model: TC-V11, TC-V33

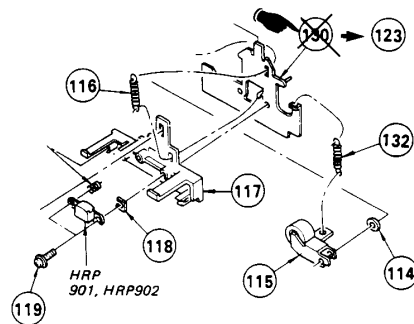
No. 192

Subject: Incorrect Reference Number in
Service Manual - Reference # 130

Date: May 10, 1991

Symptom: The Head Chassis (S) assy is incorrectly shown as reference
(**) # 130 on page 26 of the Service Manual.

Solution: Make the following correction in the Service Manual.



CSA-13 Tape Deck

Reference: TC-01691

PRINTED IN U.S.A.
CSA-13491-11